

# ECO SPW indoor model range

2.2kW - 28.0kW

**R410A**

Model size		74	94	124	164	184	224	254	364	484	604	764	964	
Capacity kW	Cooling Heating	Page	2.2 2.5	2.8 3.2	3.6 4.2	4.5 5.0	5.6 6.3	6.4 7.0	7.3 8.0	10.6 11.4	14.0 16.0	16.0 18.0	22.4 25.0	28.0 31.5
		36		•	•	•	•		•	•	•	•		
XDR 4Way cassette														
		37	•	•	•	•	•							
XMR 4Way mini cassette														
		38		•	•	•	•		•					
LDR Semi-concealed slim 1 Way cassette														
		39	•	•	•									
ADR Semi-concealed 1 Way cassette														
		40		•	•	•	•		•					
SR 2Way blow cassette														
		41	•	•	•	•	•		•	•	•			
UR Concealed Duct														
		42	•	•	•	•	•	•						
FUR Concealed slim duct														
		43	•	•	•	•	•	•						
UMR Ducted units														
		44							•	•	•		•	•
DR High static pressure duct														
		45	•	•	•		•		•					
KR Wall mounted units														
		46			•	•	•		•	•	•			
TDR Ceiling mounted units														
		47	•	•	•	•	•	•						
FTR Floor and Floor/Ceiling units														
		48	•	•	•	•	•	•						
FMR Chassis units														
		49	•	•	•	•	•	•						
FR Floor units														
		50		•		•	•							
GU Heat recovery units														

## 4 Way cassette

SPW-XDR74/94/124/164/184/254/364/484/604GXH

**R410A**



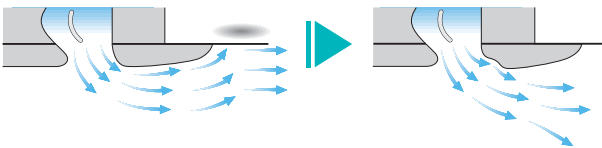
SPW-XDR74/94/124/164/184/254/364/484/604GXH

The award winning range of XDR cassettes are smaller, shallower and lighter than previous models and feature a 950mm x 950mm panel throughout. The DC fan motor and new air discharge louvre ensure quiet, optimum air distribution.

- New compact design
- DC fan motor for increased efficiency
- Reduced sound levels
- Powerful drain pump gives 850mm lift

### Improved airflow

The airflow is directed away from the unit to help prevent the smudging effect so often seen on ceiling tiles.



### Easy installation



Cooling capacity	kW	2.80	3.60	4.50	5.60	7.30	10.60	14.00	16.00	
Heating capacity	kW	3.20	4.20	5.00	6.30	8.00	11.40	16.00	18.00	
Sound Pressure Level (H/M/L)	dB(A)	31/29/27				34/31/28	39/36/33	42/38/34	44/40/36	
Cooling EU Total	kW	2.70	3.47	4.33	5.39	7.03	10.21	13.48	15.41	
Heating EU Total	kW	3.10	4.07	4.85	6.11	7.76	11.06	15.52	17.46	
Cooling EU Sensible	kW	2.70	3.32	3.76	4.27	5.45	7.82	9.90	11.04	
Air Circulation (H/M/L)	m <sup>3</sup> /hr	930/840/780			960/840/780	1200/960/840	1680/1380/1260	1980/1500/1320	2040/1620/1380	
Dimensions (HxVxD)	mm	256x840x840					319x840x840			
Panel (HxVxD)	mm	35x950x950								
Net weight	kg	21					26			
Panel net weight	kg	4.5								
Pipe sizes	Liquid Inches	1/4					3/8			
	Gas Inches	1/2					5/8			

Remote controller extra. See page 51 for options.

## 4 Way mini cassette SPW-XMR74/94/124/164/184EXH

**R410A**



SPW-XMR74/94/124/164/184EXH

Designed to fit exactly into a 600x600mm ceiling grid without the need to alter the bar configuration, the XMR is ideal for small commercial and retro fit applications.

- Fresh air knock out
- Multi directional air flow
- Integrated drain pump gives 250mm lift



Cooling capacity	kW	2.20	2.80	3.60	4.70	5.60
Heating capacity	kW	2.50	3.20	4.20	5.20	6.30
Sound Pressure Level (H/M/L)	dB(A)	54/51/48			55/51/48	
Cooling EU Total	kW	2.12	2.55	3.37	4.33	4.96
Heating EU Total	kW	2.38	3.04	3.99	4.75	5.99
Cooling EU Sensible	kW	1.99	2.19	2.59	3.46	3.78
Air Circulation (H/M/L)	m3/hr	700/600/500			750/630/530	
Dimensions (HxVxD)	mm	296x575x575				
Panel (HxVxD)	mm	64x730x730				
Net weight	kg	16.5			18	
Panel net weight	kg	2.50				
Pipe sizes	Liquid Inches	1/4				
	Gas Inches	1/2				

Remote controller extra. See page 51 for options.

## Semi-concealed slim I Way cassette SPW-LDR94/124/164/184/254GXH

**R410A**



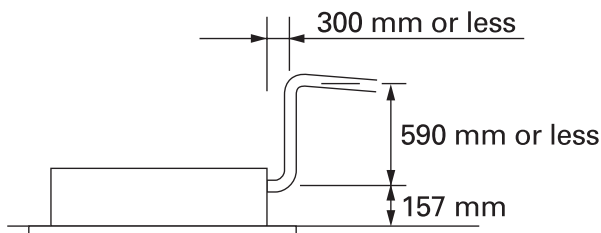
SPW-LDR94/124/164/184/254GXH

Designed for installation within the ceiling void, the LDR range of slimline I Way blow cassettes feature powerful, yet quiet fans for optimum air distribution from high ceilings of up to 3.5 metres.

- Ultra slim design, just 198mm high
- Suitable for standard and high ceilings
- Built-in drain pump provides 747mm lift
- Easy to install and maintain
- Hanging height can be easily adjusted
- Uses a DC fan motor

### Drain pump power-up

Drain can be pumped up for approx. 747mm from the ceiling surface



Cooling capacity	kW	2.80	3.60	4.50	5.60	7.30
Heating capacity	kW	3.20	4.20	5.00	6.30	8.00
Sound Pressure Level (H/M/L)	dB(A)	36/34/33		36/35/34	38/36/34	45/40/36
Cooling EU Total	kW	2.70	3.47	4.27	5.39	7.03
Heating EU Total	kW	2.66	3.99	4.75	5.98	7.52
Cooling EU Sensible	kW	2.57	2.97	3.37	4.19	4.85
Air Circulation (H/M/L)	m <sup>3</sup> /hr	720/600/540		720/660/600	780/690/600	1080/900/780
Dimensions (HxVxD)	mm	198x1000x710				
Panel (HxVxD)	mm	20x1230x800				
Net weight	kg					21
Panel net weight	kg					5.5
Pipe sizes	Liquid					1/4
	Gas					1/2

Remote controller extra. See page 51 for options.

# Semi-concealed 1 Way cassette

## SPW-ADR74/94/124GXH

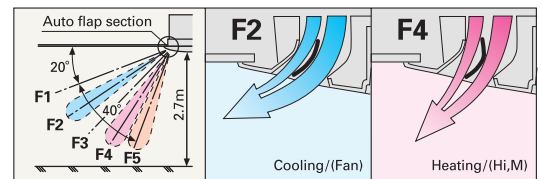
**R410A**



SPW-ADR74/94/124GXH

The new ADR unit features reduced sound levels, compact design and improved airflow distribution.

- New development concept: low sound, lightweight and compact
- Built-in drain pump provides 850mm lift
- Ideal for hotel and hospital applications
- Ultra-light design: only 17kg



Cooling capacity	kW	2.20	2.80	3.60
Heating capacity	kW	2.50	3.20	4.20
Sound Pressure Level (H/M/L)	dB(A)	33/31/29		36/34/31
Cooling EU Total	kW	2.12	2.70	3.47
Heating EU Total	kW	2.38	3.04	3.99
Cooling EU Sensible	kW	1.82	2.11	2.77
Air Circulation (H/M/L)	m <sup>3</sup> /hr	480/420/360		580/520/450
Dimensions (HxVxD)	mm	300 x 600 x 560		
Panel (HxVxD)	mm	30 x 760 x 620		
Net weight	kg	17		
Panel net weight	kg	2.5		
Pipe sizes	Liquid Inches	1/4		
	Gas Inches	1/2		

Remote controller extra. See page 51 for options.

EU Conditions: **Cooling** Indoor 23°C DB 50% RH Outdoor 30°C **Heating** Indoor 20°C Outdoor 0°C  
 Rating conditions: **Cooling** Indoor 27°C DB 19°C WB Outdoor 35°C DB 24°C WB **Heating** Indoor 20°C DB Outdoor 7°C DB 6°C WB

## 2 Way cassette

### SPW-SR74/94/124/164/184/254GXH

**R410A**



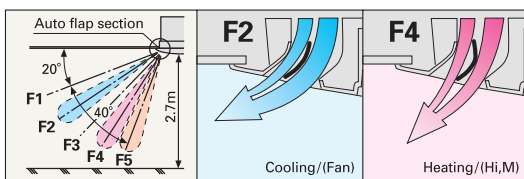
SPW-SR74/94/124/164/184/254GXH

The range of SR 2 Way blow cassettes have been completely redesigned and are now more compact, shallower, lighter and quieter than ever before.

- Industry leading low sound levels
- Auto-swing louvres ensure optimum air distribution
- Built-in drain pump provides 785mm lift
- Easy to install and maintain

Airflow and distribution is automatically altered depending on the operational mode of the unit.

Industry leading low sound levels



Model size	74	94	124	164	184	254
dB(A) low/high	24/30	26/33	28/34	29/35	29/35	33/38

Cooling capacity	kW	2.80	3.60	4.50	5.60	7.30
Heating capacity	kW	3.20	4.20	5.00	6.30	8.00
Sound Pressure Level (H/M/L)	dB(A)	33/29/26	34/31/28	35/33/29		38/35/33
Cooling EU Total	kW	2.70	3.47	4.33	5.39	7.03
Heating EU Total	kW	3.04	3.99	4.75	5.99	7.60
Cooling EU Sensible	kW	2.27	2.71	3.26	3.85	5.36
Air Circulation (H/M/L)	m <sup>3</sup> /hr	540/480/420	576/516/456	660/540/480		1140/960/840
Dimensions (HxVxD)	mm	350x840x600				350x1140x600
Panel (HxVxD)	mm	8x1060x680				8x1360x680
Net weight	kg	23				30
Panel net weight	kg	7				9
Pipe sizes	Liquid Inches	1/4				3/8
	Gas Inches	1/2				5/8

Remote controller extra. See page 51 for options.

EU Conditions: **Cooling** Indoor 23°C DB 50% RH Outdoor 30°C **Heating** Indoor 20°C Outdoor 0°C  
 Rating conditions: **Cooling** Indoor 27°C DB 19°C WB Outdoor 35°C DB 24°C WB **Heating** Indoor 20°C DB Outdoor 7°C DB 6°C WB

# Concealed duct SPW-UR74/94/124/164/184/254/364/484GXH

**R410A**



SPW-UR74/94/124/164/184/254/364/484GXH

The UR ducted systems are the ideal solution for flexible, concealed air conditioning and the standard 200mm spigots ensure simple, hassle free connection to spiral ductwork. The external static pressure can be increased via an optional booster cable to provide increased design flexibility.

- Extremely quiet operation from 22 dB(A)
- Integrated drain pump provides 785mm lift
- Air off sensor avoids cold air dumping
- Easy to install and maintain
- Configurable air temperature control



Flexible air distribution is achieved by discharge grilles.



Cooling capacity	kW	2.20	2.80	3.60	4.50	5.60	7.30	10.60	14.00
Heating capacity	kW	2.50	3.20	4.20	5.00	6.30	8.00	11.40	16.00
Sound Pressure Level (H/M/L)	dB(A)	29/26/22			30/28/25		34/30/27	38/33/31	40/37/33
Cooling EU Total	kW	2.12	2.70	3.47	4.33	5.39	7.03	10.21	13.48
Heating EU Total	kW	2.40	3.07	4.03	4.80	6.05	7.68	10.94	15.36
Cooling EU Sensible	kW	1.93	2.20	2.59	3.34	3.91	5.33	8.10	10.00
Air Circulation (H/M/L)	m <sup>3</sup> /hr	600/510/420			720/630/540		1080/900/780	1800/1560/1260	1980/1800/1500
External static pressure	Pa	49			40		50	79	78
with booster cable	Pa	69			62		92	122	113
Dimensions (HxWxD)	mm	310x700x630				310x1000x630		310x1480x630	
Net weight	kg	24			25		32	47	
Pipe sizes	Liquid	Inches			1/4		3/8		
	Gas	Inches			1/2		5/8		

Remote controller extra. See page 51 for options.

## Concealed slim duct SPW-FUR74/94/124/164/184/224EXH

**R410A**



SPW-FUR74/94/124/164/184/224EXH

The new slim duct fan coil is ideally suited to hotel bedrooms or small offices.

- Ultra-slim profile: 190mm for all models
- Suitable for horizontal and vertical installation
- Ideal for low ceiling void applications
- Extremely quiet: 26 dB(A) at low speed (Class 7,9,12)



Cooling capacity	kW	2.20	2.80	3.60	4.50	5.20	6.40
Heating capacity	kW	2.50	3.20	4.20	5.00	6.30	7.10
Sound Pressure Level (H/M/L)	dB(A)	37/30/26			45/41/33		49/45/40
Cooling EU Total	kW	2.12	2.55	3.37	4.33	5.96	6.16
Heating EU Total	kW	2.38	3.04	3.99	4.75	5.99	6.75
Cooling EU Sensible	kW	1.93	2.13	2.54	3.38	3.70	4.45
Air Circulation (H/M/L)	m <sup>3</sup> /hr	470/380/335			620/540/450		680/600/520
Dimensions (HxWxD)	mm	190x900x680					
Net weight	kg	25					
Pipe sizes	Liquid Inches	1/4				3/8	
	Gas Inches	1/2				5/8	

Remote controller extra. See page 51 for options.

## Ducted units SPW-UMR74/94/124/164/184/224EXH

**R410A**



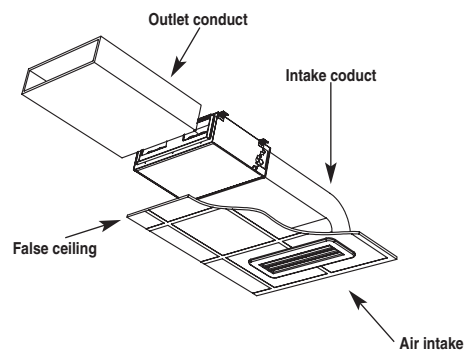
SPW-UMR74/94/124/164/184/224EXH

The UMR ducted unit is suitable for areas where there is restricted ceiling void space and a demand for longer ductwork runs.

- Maximum depth 266mm
- Boost mode static pressure up to 70 pa
- Fresh air knockout
- Drain pump maximum lift 250mm
- Washable filter



On the front and rear side of the unit a rectangular port (with flange) helps during duct mounting.



Cooling capacity	kW	2.20	2.80	3.60	4.70	5.60	6.40
Heating capacity	kW	2.50	3.20	4.20	5.30	6.30	7.00
Sound Pressure Level (H/M/L)	dB(A)	43/41/38			43/36/31		46/38/35
Cooling EU Total	kW	2.12	2.55	3.37	4.30	4.82	6.16
Heating EU Total	kW	2.05	2.46	3.28	4.22	4.67	5.76
Cooling EU Sensible	kW	1.96	2.17	2.57	3.68	3.91	4.75
Air Circulation (H/M/L)	m <sup>3</sup> /hr	600/510/440			875/600/400		1000/700/600
Dimensions (HxWxD)	mm	266x852x572			266x1058x572		
Net weight	kg	35			37		
Pipe sizes	Liquid	Inches			1/4		3/8
	Gas	Inches			1/2		5/8

Remote controller extra. See page 51 for options.

# High static pressure duct SPW-DR254/364/484/764/964GXH

**R410A**



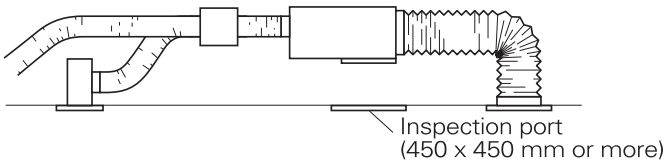
SPW-DR254/364/484/764/964GXH

The SPW-DR range of ducted units offers improved design flexibility for extended duct layouts as a result of their increased external static pressures.

- Can be used as 1:1 split system if required
- External static pressure from 67-216 pa
- Complete flexibility for ductwork design
- Can be located into a weatherproof housing for external siting

## System example

An inspection port (450mm x 450mm or more) is required at the lower side of the indoor unit body. **Distributor** (field supply)



Cooling capacity	kW	7.30	10.60	14.00	22.40	28.00
Heating capacity	kW	8.00	11.40	16.00	25.00	31.50
Sound Pressure Level (H/M/L)	dB(A)	44/43/42	45/44/42	47/46/44	48/47/46	51/50/49
Cooling EU Total	kW	7.03	10.21	13.48	21.57	26.96
Heating EU Total	kW	7.68	10.94	15.36	24.00	30.24
Cooling EU Sensible	kW	5.76	8.30	10.40	16.24	20.27
Air Circulation (H/M/L)	m <sup>3</sup> /hr	1380/1320/1260	1800/1680/1500	2160/2100/1980	3360/3186/2976	4320/4200/3960
External static pressure	Pa	186	176	167	176	216
Dimensions (HxVxD)	mm	420x1065x620			467x1428x1230	
Net weight	kg	47	50	54	110	120
Pipe sizes	Liquid Inches			3/8		
	Gas Inches	5/8		3/4	7/8	
RAP valve kit		NA		x2		

Remote controller extra. See page 51 for options.

# Wall mounted units

## SPW-KR74/94/124/164/184/254GXH

**R410A**

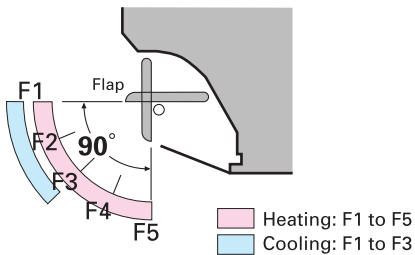


SPW-KR74/94/124/164/184/254GXH

The slim-line design of the KR wall mounted unit is smaller, lighter and substantially quieter than previous models. The discharge louvre closes when the unit is not operating to prevent dust and dirt entering.

- Simple, versatile design
- Low operating sound levels from 28 dB(A)
- Piping connection in three directions
- Features anti-mould filters as standard

Air distribution is automatically altered depending on the operational mode of the unit



Cooling capacity	kW	2.20	2.80	3.60	5.60	7.30
Heating capacity	kW	2.50	3.20	4.20	6.30	8.00
Sound Pressure Level (H/M/L)	dB(A)	36/32/28				42/38/35
Cooling EU Total	kW	2.12	2.70	3.47	5.39	7.03
Heating EU Total	kW	2.43	3.10	4.07	6.11	7.76
Cooling EU Sensible	kW	2.10	2.36	2.73	3.91	5.12
Air Circulation (H/M/L)	m <sup>3</sup> /hr	600/480/360			720/600/480	960/840/600
Dimensions (HxWxD)	mm	285x995x203				330x1140x228
Net weight	kg	14				21
Pipe sizes	Liquid	1/4				3/8
	Gas	1/2				5/8

Remote controller extra. See page 51 for options.

# Ceiling mounted units SPW-TDR124/164/184/254/364/484GXH

**R410A**



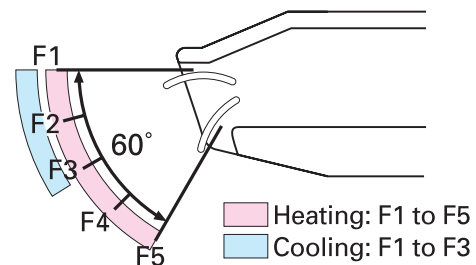
SPW-TDR124/164/184/254/364/484GXH

The range of TDR ceiling mounted systems feature a DC fan motor for increased efficiency and reduced operating sound levels. All the units are the same height and depth for a uniform appearance in mixed installations and feature a fresh air knockout for improved air quality.

- Very low sound levels
- Easy to install and maintain
- New design, all units just 210mm high
- Fresh air knockout
- Large and wide air distribution



Air distribution is automatically altered depending on the operational mode of the unit



Cooling capacity	kW	3.60	4.50	5.60	7.30	10.60	14.00
Heating capacity	kW	4.20	5.00	6.30	8.00	11.40	16.00
Sound Pressure Level (H/M/L)	dB(A)	35/32/30	36/33/30		38/36/33	41/38/35	43/40/37
Cooling EU Total	kW	3.47	4.33	5.39	7.03	10.21	13.48
Heating EU Total	kW	4.02	4.78	6.02	7.65	10.90	15.30
Cooling EU Sensible	kW	3.00	3.51	4.04	5.43	7.93	9.84
Air Circulation (H/M/L)	m <sup>3</sup> /hr	720/600/540	780/660/540		1110/900/840	1650/1380/1200	1800/1560/1320
Dimensions (HxVxD)	mm	210x910x680			210x1180x680	210x1595x680	
Net weight	kg	21			25	33	
Pipe sizes	Liquid	Inches 1/4			3/8		
	Gas	Inches 1/2			5/8		

Remote controller extra. See page 51 for options.

# Floor and Floor/Ceiling units

## SPW-FTR74/94/124/164/184/224EXH

**R410A**



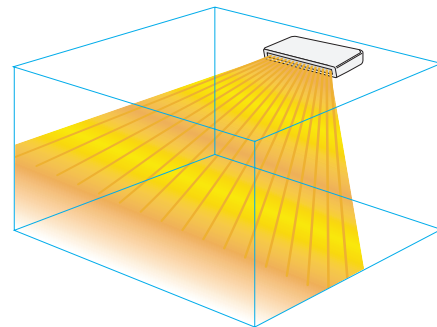
SPW-FTR74/94/124/164/184/224EXH

Offers the flexibility of floor or ceiling application without the need for further modification at installation stage.

- Can be ceiling or floor mounted
- Quiet operation from 35 dB(A)
- Easy to install



Further comfort improvement with airflow distribution



Cooling capacity	kW	2.20	2.80	3.60	4.50	5.60	7.10
Heating capacity	kW	2.50	3.20	4.20	5.00	6.30	8.00
Sound Pressure Level (H/M/L)	dB(A)	60/54/49			62/58/54		63/60/57
Cooling EU Total	kW	1.90	2.33	2.37	4.82	4.96	6.16
Heating EU Total	kW	2.38	3.04	3.99	4.75	5.99	7.60
Cooling EU Sensible	kW	1.90	2.33	2.80	3.80	3.87	4.61
Air Circulation (H/M/L)	m <sup>3</sup> /hr	700/600/500			750/630/530		900/830/730
Dimensions (HxVxD)	mm	680x900x190					
Net weight	kg	16.5		18		23	
Pipe sizes	Liquid	Inches			3/8		
	Gas	Inches			5/8		

Remote controller extra. See page 51 for options.

# Chassis units SPW-FMR74/94/124/164/184/254GXH

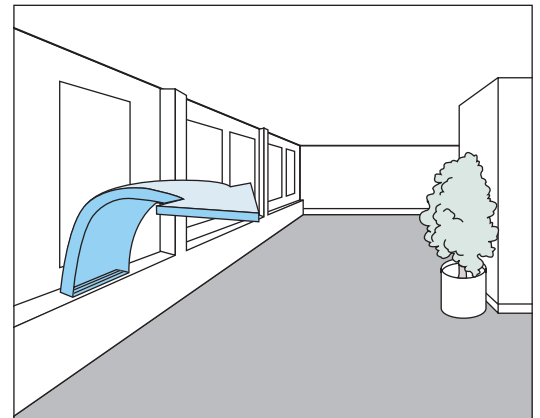
**R410A**



SPW-FMR74/94/124/164/184/254GXH

At just 229mm deep, the FMR unit can be easily concealed in perimeter areas to provide powerful and effective air conditioning.

- Chassis unit for discrete installation
- Pipes can be connected to either side of the unit from the bottom or rear
- Removable air discharge grille gives flexible air flow
- Easy to install



Cooling capacity	kW	2.20	2.80	3.60	4.50	5.60	7.10
Heating capacity	kW	2.50	3.20	4.20	5.00	6.30	8.00
Sound Pressure Level (H/M/L)	dB(A)	33/30/28		39/35/29	39/36/31		41/38/35
Cooling EU Total	kW	2.12	2.70	3.47	4.33	5.39	6.84
Heating EU Total	kW	2.38	3.04	3.99	4.75	5.99	7.60
Cooling EU Sensible	kW	1.81	2.10	2.66	3.71	4.22	5.11
Air Circulation (H/M/L)	m <sup>3</sup> /hr	420/360/300		540/420/360	900/780/660		1020/840/720
Dimensions (HxVxD)	mm	616x904x229				616x1219x229	
Net weight	kg	21				28	
Pipe sizes	Liquid Inches					1/4	
	Gas Inches					1/2	
						3/8	
						5/8	

Remote controller extra. See page 51 for options.

## Floor units

SPW-FR74/94/124/164/184/254GXH

**R410A**



SPW-FR74/94/124/164/184/254GXH

The compact floor mounted SPW-FR range of units, at 230mm deep, are the ideal solution for providing perimeter air conditioning. The standard wired controller can be incorporated into the body of the unit.

- Front panel opens fully for easy maintenance
- Pipes can be connected to either side of the unit from the bottom or rear
- Removable air discharge grille gives flexible air flow
- Easy to install

A standard wired remote control can be installed in the body



Cooling capacity	kW	2.20	2.80	3.60	4.50	5.60	7.10
Heating capacity	kW	2.50	3.20	4.20	5.00	6.30	8.00
Sound Pressure Level (H/M/L)	dB(A)	33/30/28		39/35/29	39/36/31		41/38/35
Cooling EU Total	kW	2.12	2.70	3.47	4.33	5.39	6.84
Heating EU Total	kW	2.38	3.04	3.99	4.75	5.99	7.60
Cooling EU Sensible	kW	1.81	2.10	2.66	3.71	4.22	5.11
Air Circulation (H/M/L)	m <sup>3</sup> /hr	420/360/300		540/420/360	900/780/660		1020/840/720
Dimensions (HxWxD)	mm	615x1065x230				615x1380x230	
Net weight	kg	29			39		
Pipe sizes	Liquid	Inches			1/4		3/8
	Gas	Inches			1/2		5/8

Remote controller extra. See page 51 for options.

# Heat recovery units SPW-GU055/075/105XH

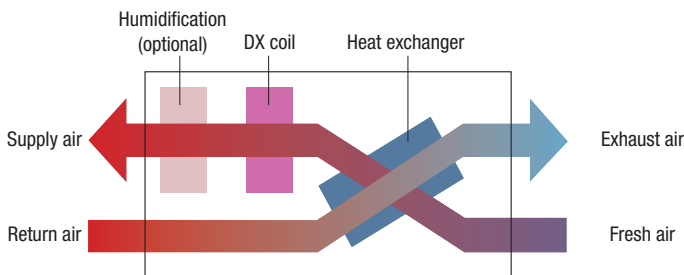


SPW-GU055/075/105XH

SANYO's new heat recovery ventilation system allows total control via a system network whilst modulating the temperature and humidity of incoming air supply

- Integration of heat recovery ventilation and DX coil technology for optimum air temperature control
- Humidifying function available as an option
- Easy to clean filter
- The DX coil can be connected to all ECO&GHP outdoor units
- Compact design

Installation example



		size 500 m3/h		size 750m3/h		size 1000m3/h	
Air-circulation	(H) m3/h	500		750		1,000	
Cooling capacity	kW	2.80		4.50		5.60	
Heating capacity	kW	3.20		5.00		6.30	
Power input	W	495	615	575	755	670	865
Enthalpy Exchange Efficiency	%	58	66	58	66	58	66
Temp. Exchange Efficiency	%	73		73		73	
Cooling External static pressure - Return air	(H/L) Pa	294/186		255/186		245/127	
Heating External static pressure - Return air	(H/L) Pa	363/137		372/216		313/108	
Cooling External static pressure - Supply air	(H/L) Pa	167/98		167/88		127/69	
Heating External static pressure - Supply air	(H/L) Pa	255/59		265/118		226/59	
Cooling Sound Pressure Level	dB(A)	46		47		48	
Heating Sound Pressure Level	dB(A)	47		48		49	
Dimensions	(HxWxD) mm	460x990x1750		460x1200x1800		460x1390x1900	
Net weight	kg	130		150		180	
Connection Duct Diameter	mm	250		250		300	
Pipe size suction / discharge	Inches			(1/4) / (1/2)			
Cooling Running amperes	A	2.5		3.0		3.5	
Heating Running amperes	A	3.2		3.8		4.4	
Power supply				220 - 240V / 1ø 50Hz			
<b>Option</b>							
Humidification Capacity	kg/h	2.7		4.1		5.4	
Water Supply	kg/h	4.1		6.2		8.1	

Remote controller extra. See page 51 for options.

EU Conditions: **Cooling** Indoor 23°C DB 50% RH Outdoor 30°C **Heating** Indoor 20°C Outdoor 0°C  
 Rating conditions: **Cooling** Indoor 27°C DB 19°C WB Outdoor 35°C DB 24°C WB **Heating** Indoor 20°C DB Outdoor 7°C DB 6°C WB



- Standard individual controller also allows group control of up to 8 units
- 7 day programmable with set back
- Full self diagnosis facility with detailed performance history



- Standard individual controller also allows group control of up to 8 units
- Allows for combinations of indoor units to be controlled from 1 infrared remote control handset
- Up to 2 remote controllers can be connected per group



- Standard individual controller also allows group control of up to 8 units
- Includes built-in air temperature sensor
- Up to 2 remote controllers can be connected per group



- 7 day timer with 3 operations per day
- The controller can be used in conjunction with SHA-KC64AG for group control
- Temporary cancellation of the time schedule is possible



- 3 levels of prohibitive control restricts local functionality of room controllers
- Common alarm and operation outputs
- 2 system controllers can be installed on a single 'S net' network system



- Schedule operation of zone, tenant, and units in a group
- Tenant billing for cooling or heating consumed over a time period
- Use of Schedule timer is possible for remote time control over a number of indoor units



- Enables start/ stop of a group or entire system
- Allows for the emergency stop of an entire system
- Transmits the alarm status of a group or individual unit